

## Specifications

Housing material	Stainless steel
Surface finish	Powder coated
Cover material	Polycarbonate
LED type	Samsung LM561C, S6
Lifetime LED	100.000 hours (L90B10)
Lifetime fixture	30 years
Voltage	230 V
CRI	≥ 80
Dimmable	None   DALI   1-10V
Future proof	Yes
Net efficiency	180 Lumen/Watt

CE

IP65

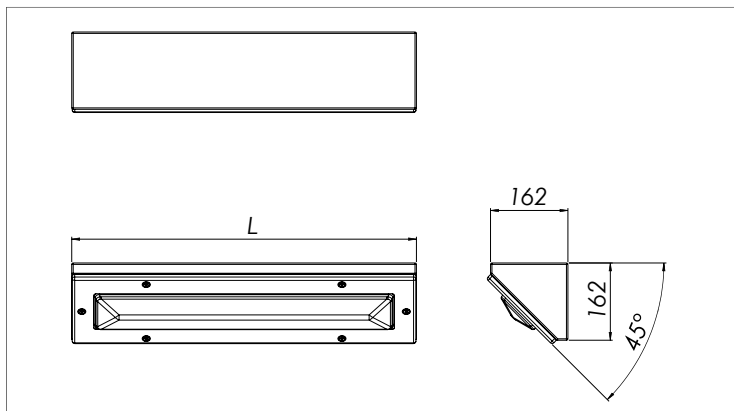
IK16

**i** These specifications can be customized on request, please contact us for more information

## Type specific

Type	TA453	TA457	TA4513	TA4516
Max. light output	1.080 lm	2.160 lm	4.320 lm	5.400 lm
Length (L)	375 mm	722 mm	1330 mm	1630 mm

## Dimensions



## Light characteristics

